

NI64 0001 (TP Ni VoMa) Technical Information



Flow tested at
**30 Gal
(US)/min**

Contents of package

Description	No of Units	Description	No of Units
Main Unit	1	No. of Grub Screws (each size)	3
Security Collar	1	Rubber Seal	2
External C-Clip	N/A	Internal C-Clip	N/A
Fitting Instructions	1		

Technical details

Description	Type	Description	
Type of neck Fitting	Internal	Material	Aluminium / Steel

Technical Specifications of the Grub Screws

Description	Measurements	Description	Measurements
Thread	¼" UNC	Length of Grub Screws	3/16"

Technical Specifications of the Seal (if applicable)

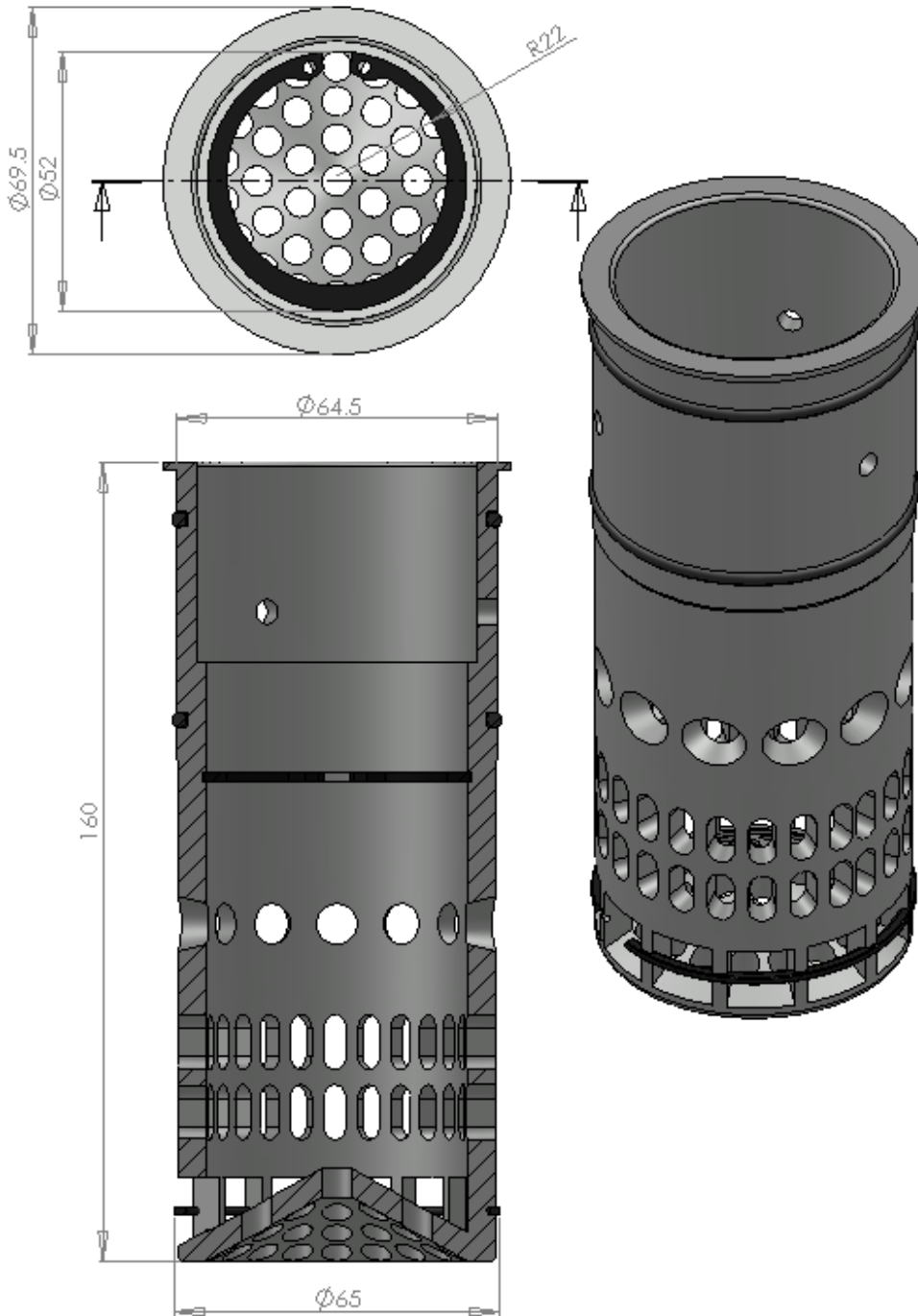
Description	Description		
Material Used	Viton	O-ring Diameter/Thickness	2.5mm

Specifications of the Packaged Product / Carton / Pallet

No. of Units within an outer carton	8	Number of Cartons per Pallet	72
Weight per Individual Boxed Unit	0.51kg	Dimensions of a packaged unit	80x75x217mm
Weight of outer carton	4.5kg	Dimensions of outer carton	330x175x245mm
Weight of pallet	340kg	Dimensions of pallet	1200x1000x1120mm



NI64 0001 (TP Ni VoMa) Technical Information



Models Fitted

Manufacturer	Models
Volvo	VT Series (VT880, VT830, VT800), VN Series (VN780, VN730, VN670, VN630, VN430, VNL300, VNM200), VHD Series (Vocational) (VND, VHD430)
Mack	Titan, Granite, Granite Rawhide, Pinnacle Series

www.FuelDefend.com
info@FuelDefend.com

